

HOSPITAL GRADE POWER SUPPLY CORDS

ABLE Part No.	Wire Type	Conductor		Cond. Colors	Length		Nominal OD		Fig
		AWG	Strand		Feet	Mtrs.	IN	MM	
3 CONDUCTOR POWER SUPPLY CORDS 60°C									
4700-010-GY	SJT	18/3	16x30	NA	10	3.10	0.328	8.33	1
4700-010-GYX	SJT	18/3	16x30	IEC	10	3.10	0.328	8.33	1
4701-012-GY	SJT	16/3	26x30	NA	12	3.60	0.333	8.46	1
5700-010-GY	SJT	18/3	16x30	NA	10	3.10	0.328	8.33	1
5701-010-GY*	SJT	18/3	16x30	NA	10	3.10	0.328	8.33	2
5702-012-GY*	LIT	16/3	26x30	NA	12	3.60	0.333	8.46	2
5703-010-GY*	SJT	18/3	18x30	NA	10	3.10	0.328	8.33	2
5704-010-GY*	SJT	18/3	16x30	NA	10	3.10	0.328	8.33	3
5705412-GY*	SJT	16/3	26x30	NA	12	3.60	0.333	8.46	3
3 CONDUCTOR LOW LEAKAGE POWER SUPPLY CORDS 60°C									
6700-010-BU*	SJT	18/3	41x34	NA	10	3.10	0.450	11.43	4
3 CONDUCTOR POWER SUPPLY CORDS 60°C									
5720-010-GY*	SJT	18/3	16x30	NA	10	3.10	0.328	8.33	5
5721-010-GY*	SJT	18/3	16x30	NA	10	3.10	0.328	8.33	6
5730-010-GY*	SJT	18/3,	16x30	NA	10	3.10	0.328	8.33	7
5731-010-GY*	SJT	16/3	26x30	NA	10	3.10	0.328	8.33	7
SURE-LOCK™									
7720-03M-GY	SJT	18/3	16x30	IEC	9.80	3.0	0.328	8.33	7A
HOSPITAL GRADE MULTIPLE OUTLET STRIP									
1481-006-GY	SJT	14/3	41x30	NA	10	3.1	0.333	8.46	-

Conductor Colors

NA (North American)

IEC (International)

LIVE: Black

LIVE: Brown

NEUTRAL: White

NEUTRAL: Blue

GROUND: Green

GROUND: Green/Yellow

***CENTER CONDUCTOR: Green for ground only.**

JACKET COLORS: BL: Black GY: Gray GYX: Gray

CABLE RATINGS

SPT - 1	1250	10	125
SPT - 2	1250	10	125
SVT	1250	10	125
SJT 18	1250	10	125
SJT 16	1625	13	125
SJT 14	1625	15	125

Figure 1



Outer Jacket Removed
(ROJ) 1 1/2"
Conductors stripped 1/2"

Patent No. 4,181,394
Clear Plug #129-1-013



NEMA 5-15P

Figure 2



Outer Jacket Removed
(ROJ) 1 1/2"
Conductors Stripped 1/2"

Plug #166-1-013



NEMA 5 -15P

Figure 3

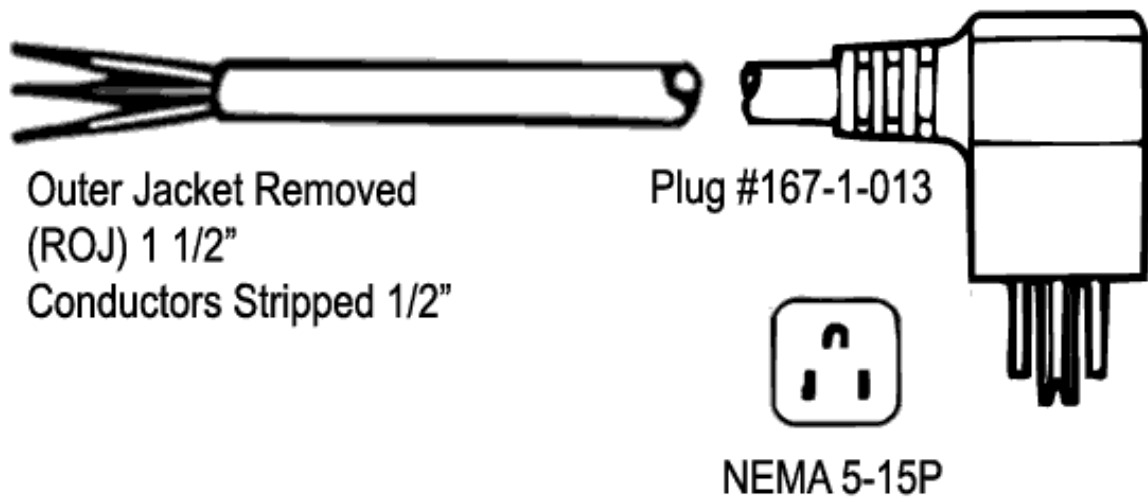


Figure 4

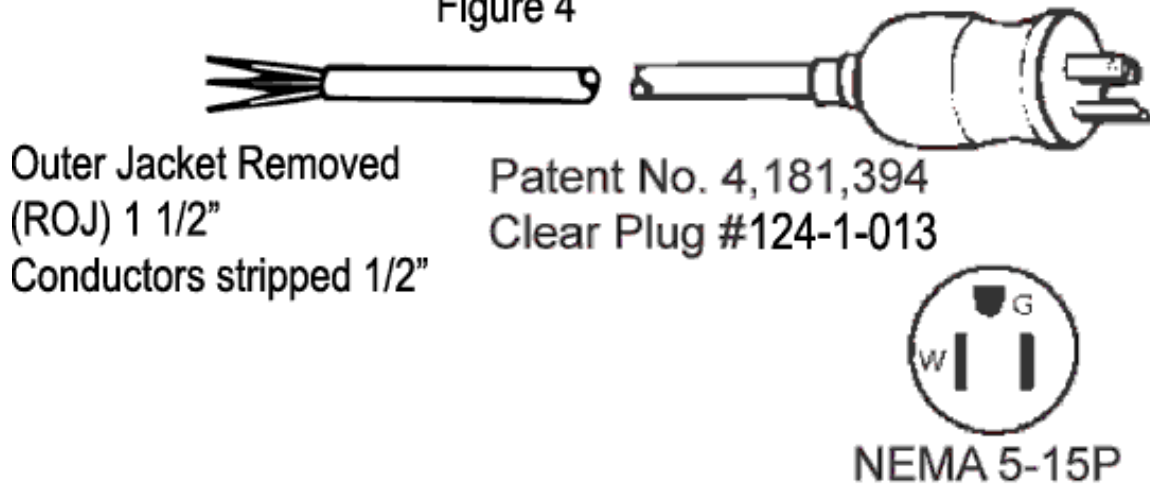


Figure 5

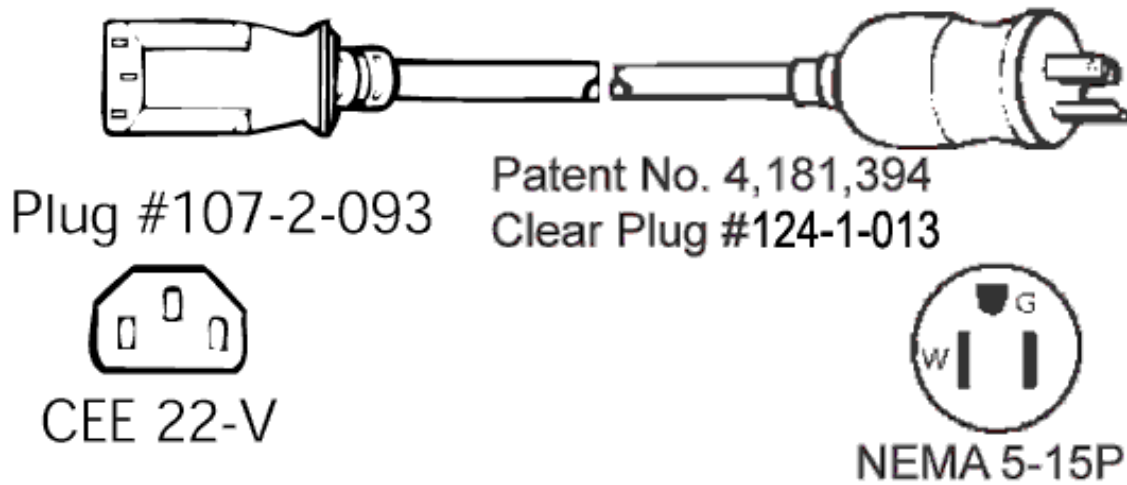


Figure 6



Plug #107-2-093



CEE 22-V

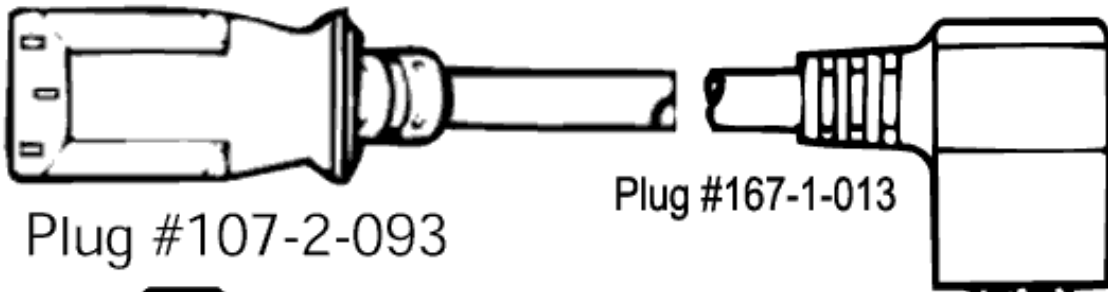


Plug #166-1-013



NEMA 5-15P

Figure 7



Plug #107-2-093

Plug #167-1-013

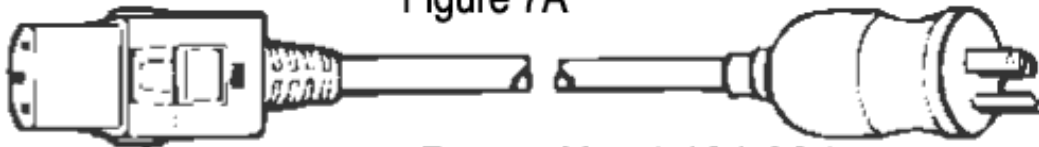


CEE 22-V



NEMA 5-15P

Figure 7A



Plug #207-2-093

Patent No. 4,181,394

Clear Plug #129-1-013



CEE 22-V



NEMA 5-15P